

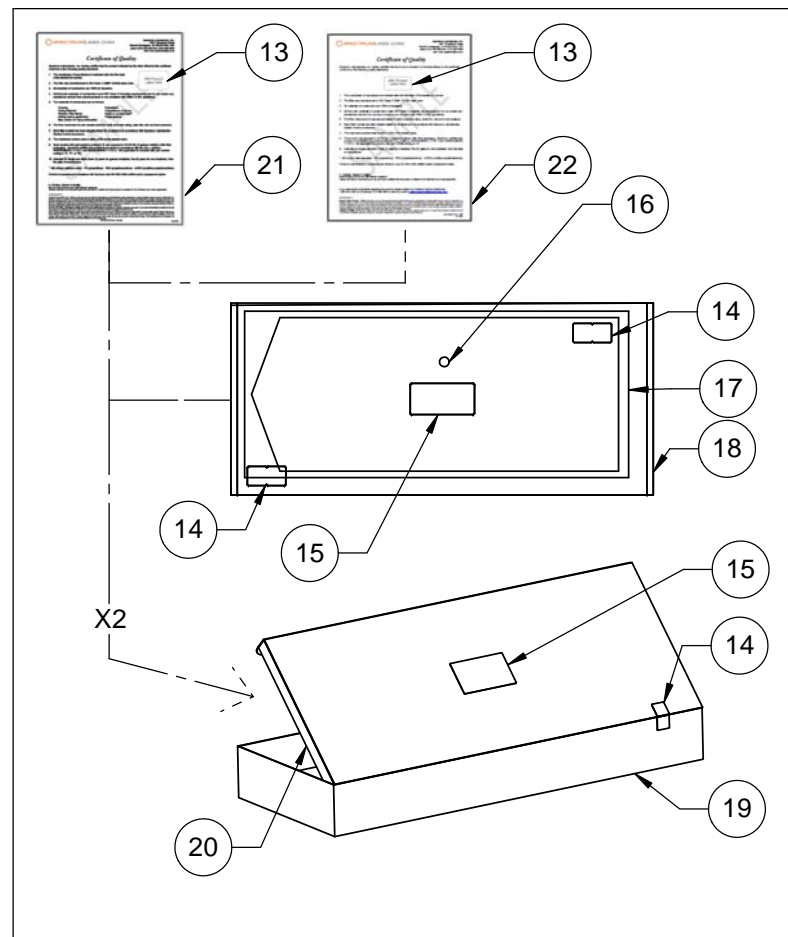
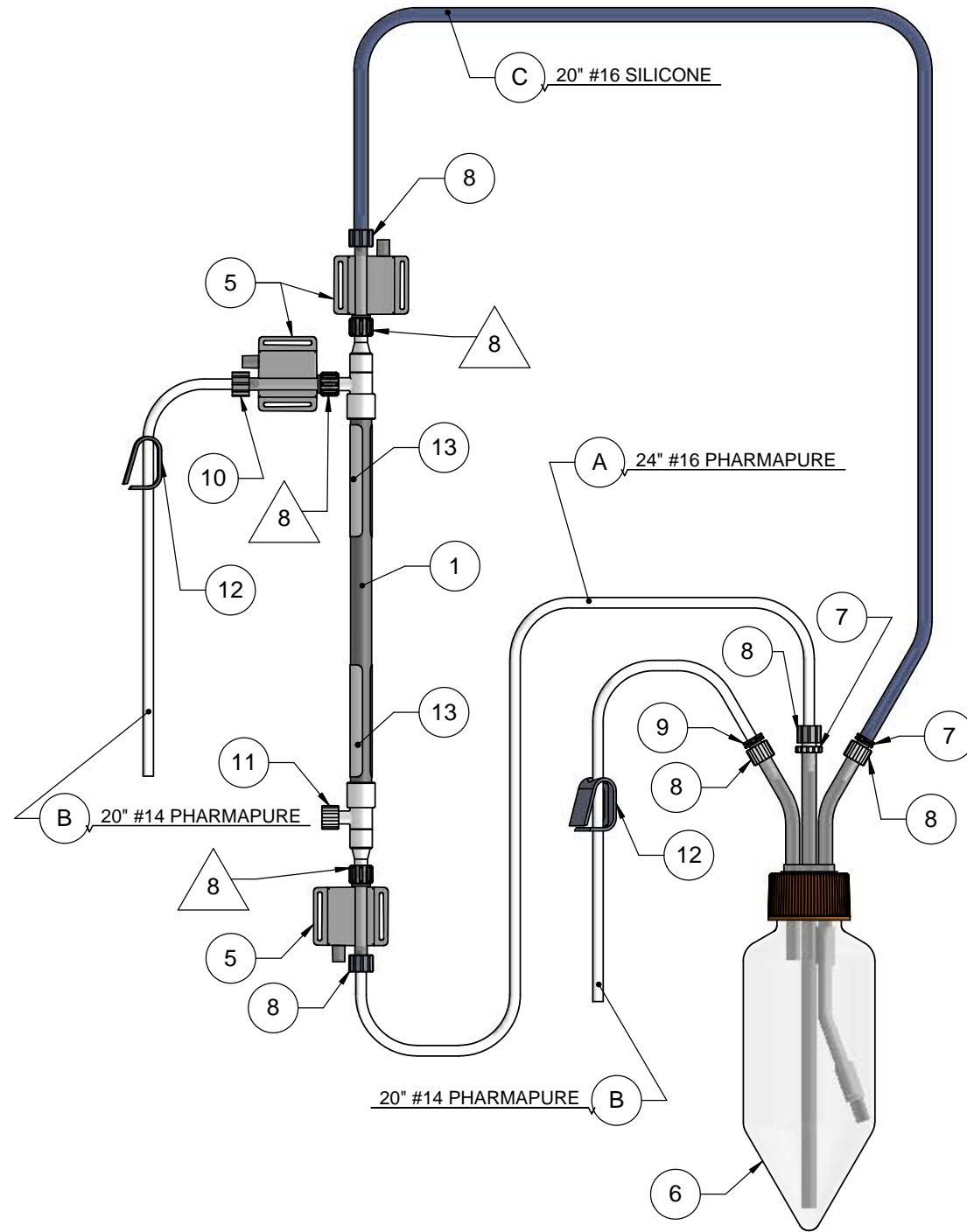
**CUSTOMER APPROVAL**  
 NAME:  
 SIGNATURE:  
 DATE:

REVISIONS HISTORY						
REV	DCO	DESCRIPTION OF CHANGES	BY	CHECKED	APPROVED	DATE
A			EJK			

SPECIFICATIONS	
Module PN:	
Media/Rating:	
Surface Area:	
UPC Number:	
Quantity Per Box:	2

CUT TUBING CHART			
2	#16 PHARMAPURE	3	#14 PHARMAPURE
	721-13119-004		721-13119-002
A	1 X 24"	B	2 X 20"
4	#16 SILICONE		
	721-01758-001		
C	1 X 20"		

BILL OF MATERIAL:			
ITEM	QTY	U/M	DESCRIPTION
1	1	EA	FILTER MODULE
2	2	FT	PHARMAPURE TUBING, 0.12"ID X 0.25" OD, #16
3	3.4	FT	PHARMAPURE TUBING, 0.06"ID X 0.185" OD, #14
4	1.7	FT	SILICONE TUBING PLATINUM CURED .125" ID X .25" OD
5	3	EA	PRESSURE SENSOR, POLYSULFONE
6	1	EA	250ML CONICAL BOTTOM RESERVOIR, 3 PORT, BENT INLET
7	2	EA	LUER FEMALE 230-6
8	5	EA	MLL W 1/8" HB PP
9	1	EA	LUER FEMALE 220-6 POLYPROP
10	1	EA	MLL W 3/32" HB PP
11	1	EA	MALE LUER CAP PP
12	2	EA	PINCH CLAMP .250" DIA. TUBE
13	4	EA	GENERAL LABEL 1" X 2"
14	2.5	EA	WHOLE WHITE LABEL
15	1.5	EA	LABEL, LARGE, KROSFLO MBT DISPOSABLE MODULE-BAG-TUBING SET
16	1	EA	GAMMA RADIATION STERILIZATION INDICATOR LABEL
17	1	EA	PERFECTFORM POUCH 24 x 12
18	2.5	FT	14" FLAT/ROLL POLY TUBING 6MIL
19	0.5	EA	BOX, 28" X 12" X 4"
20	0.5	EA	CONVOLUTED FOAM SET, 2 PIECES 28"x 12
21	1	EA	COQ: MODULE
22	1	EA	COQ: MBT
23	3	EA	REUSABLE CABLE TIE (NOT SHOWN)



<b>CONFIDENTIAL</b> Information contained in this document or drawing is confidential and proprietary to Spectrum. This document may not be reproduced for any reason without written permission from Spectrum. All rights of design, invention, and copyright are reserved.	APPROVALS DRAWN BY <b>E. KNAPP</b>	DATE <b>6/9/17</b>	
	CHECKED BY  APPROVED BY  MATERIAL N/A	  FINISH N/A	
THIRD ANGLE PROJECTION 	TOLERANCES UNLESS NOTED .XXXX ± .001 X ± 1° .XXX ± .005 .XX ± .010 .X ± .015 ALL DIMENSIONS ARE IN INCHES UNLESS NOTED	DWG. NO. DO NOT SCALE DRAWING	REV. <b>A</b>
		SCALE NTS	SHEET SIZE <b>B</b>
		SHEET 1 OF 1	