

CUSTOMER APPROVAL

NAME: _____

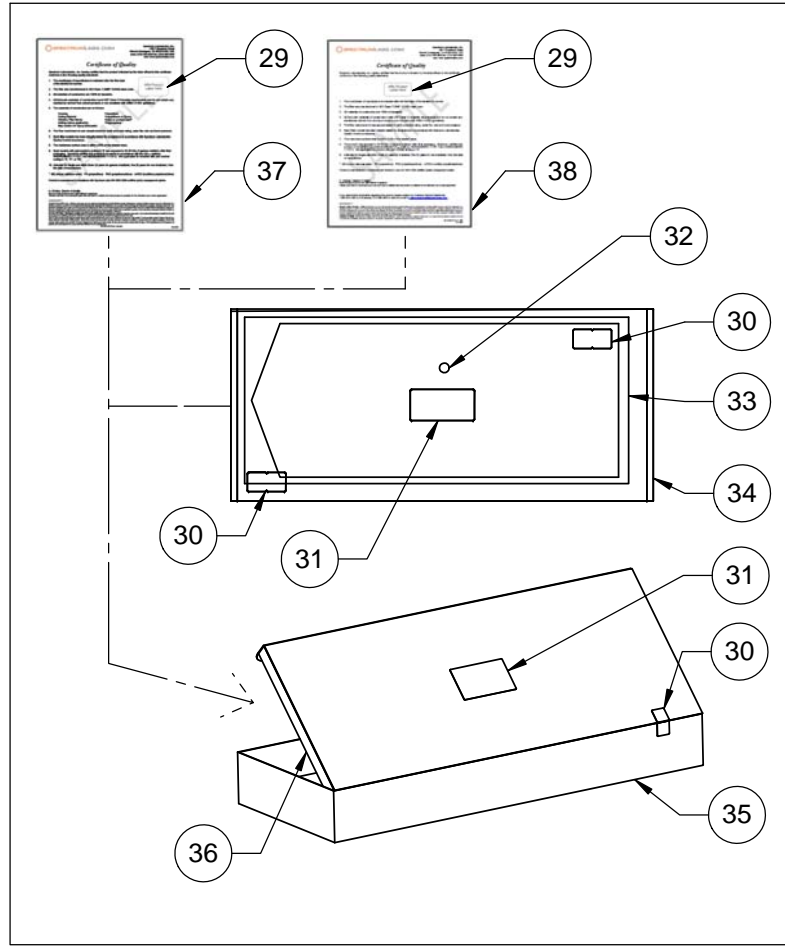
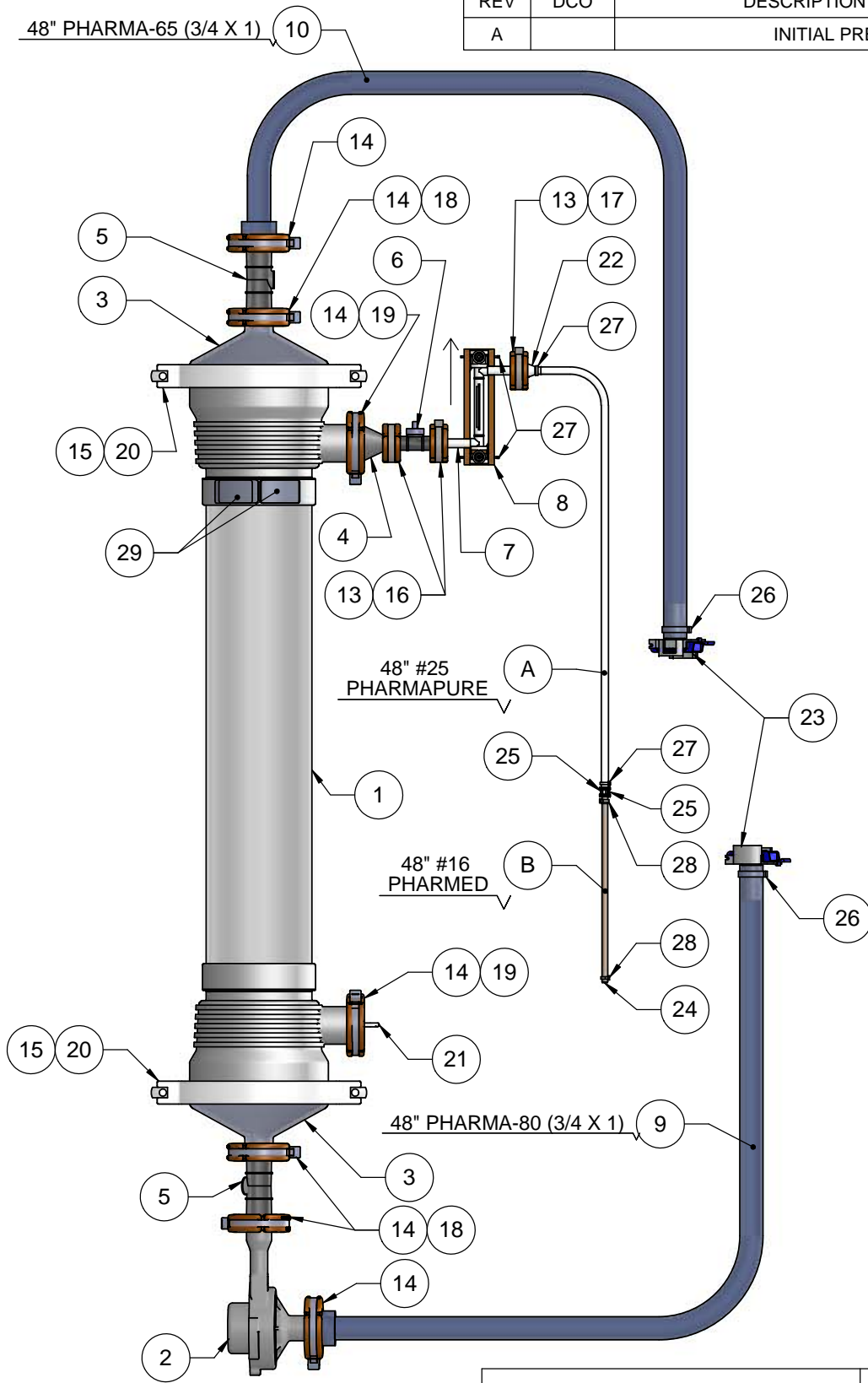
SIGNATURE: _____

DATE: _____

REV	DCO	DESCRIPTION OF CHANGES	BY	CHECKED	APPROVED	DATE
A		INITIAL PRERELEASE	EJK			

CUT TUBING CHART			
11	#25 PHARMAPURE	12	#16 PHARMED
	721-13119-010		721-01804-008
A	1 X 48"	B	1 X 48"

BILL OF MATERIAL:			
ITEM	QTY	U/M	DESCRIPTION
1	1	EA	FILTER MODULE
2	1	EA	DISPOSABLE MAGNETIC PUMPHEAD, 1" TC, PP
3	2	EA	6" TO 1" TC REDUCER
4	1	EA	1-1/2" TO 1/2" TC REDUCER
5	2	EA	PRESSURE SENSOR, PS, 1" TC
6	1	EA	PRESSURE SENSOR, PS, 1/2" TC
7	1	EA	SINGLE USE FLOW SENSOR, 0.8LPM, 3/8" TC
8	1	EA	BRACKET, SINGLE USE FLOW SENSOR, 0.8 AND 8.0LMP, 3/8" TC
9	1	EA	MOLDED TUBING, PHARMA-80, 3/4 X 1, 1.5" TC
10	1	EA	MOLDED TUBING, PHARMA-65, 3/4 X 1, 1.5" TC
11	4.0	FT	PHARMAPURE TUBING, 0.19" ID X 0.31" OD, #25
12	4.0	FT	PHARM-MED TUBING .25" ID X .385" OD, #17
13	3	EA	TC CLAMP, SANISURE, MINI
14	7	EA	TC CLAMP, SANISURE, 1.5" TC
15	2	EA	SANITARY CLAMP, PLASTIC, 6"
16	2	EA	SANITARY GASKET, SILICONE PLATINUM CURED, 1/2"
17	1	EA	3/4" SANITARY GASKET, PLAT. CURE SILICONE
18	3	EA	SANITARY GASKET, SILICONE PLATINUM CURED, 1"
19	2	EA	SANITARY GASKET, SILICONE PLATINUM CURED, 1-1/2"
20	2	EA	SANITARY GASKET, SILICONE PLATINUM CURED, 6"
21	1	EA	TC ENDCAP WITH TAB, PP, 1.5"
22	1	EA	MINI TC X 1/4" HB ADAPTER, PP
23	2	EA	ASEPTIQUIK G CONNECTOR, 3/4" HB
24	1	EA	TUBING PLUG, 1/4" BARB SIZE NATURAL POLYPROPYLENE
25	1	EA	HB REDUCER, 3/16" X 1/8" PP
26	2	EA	OETIKER STEPLESS TUBING CLAMP, DIA 1.000"- 1.126"
27	6	EA	CABLE TIE, NYLON 6/6, BLACK
28	2	EA	CABLE TIE, NYLON 6/6 WHITE
29	4	EA	GENERAL LABEL 1" X 2"
30	3	EA	WHOLE WHITE LABEL
31	2	EA	LABEL, LARGE, KROSFLO MBT DISPOSABLE MODULE-BAG-TUBING SET
32	1	EA	RADIATION STERILIZATION INDICATOR LABEL
33	1	EA	PERFECTFORM POUCH 72"X 24"
34	6	FT	24" LAYFLAT POLYE TUBING 6, MIL
35	1	EA	BOX, 45.62 X 22.5 X 9.25
36	2	EA	CONVOLUTED FOAM SET, 2 SET 45-1/2 X 22-3/8
37	1	EA	MODULE COQ
38	1	EA	CERTIFICATE OF QUALITY-MBT
39	3	EA	REUSABLE CABLE TIE (NOT SHOWN)
40	0.5	EA	BOX, 47.125" X 23.125" X 19.25" (SHIPPER, NOT SHOWN)



SPECIFICATIONS	
Module PN:	X06-XXXX-XX
Media/Rating:	
Surface Area:	
UPC Number:	
Quantity Per Box:	1

CONFIDENTIAL

Information contained in this document or drawing is confidential and proprietary to Spectrum. This document may not be reproduced for any reason without written permission from Spectrum. All rights of design, invention, and copyright are reserved.

THIRD ANGLE PROJECTION

TOLERANCES UNLESS NOTED

.XXXX ± .001 X ± 1°
 .XXX ± .005
 .XX ± .010
 .X ± .015

ALL DIMENSIONS ARE IN INCHES UNLESS NOTED

APPROVALS	DATE
DRAWN BY E. KNAPP	6/8/17
CHECKED BY	
APPROVED BY	
MATERIAL	N/A
FINISH	N/A

SPECTRUM LABS.COM

TITLE: **X06 PERFUSION ASEPTIQUIK, PFM**

DWG. NO. **990-XXXXX-000** REV. **A**

DO NOT SCALE DRAWING

SCALE NTS SHEET SIZE **B** SHEET 1 OF 1